



ELL End of line lamp

Features

- Indication on heating circuit status
- Quick and easy installation
- Type 4X protection level

Description

The lighted end seal combines the BARTEC ComEx series light indicator for PSB and HSB series self regulating tapes or AHT power limiting tapes.

The end seal properly terminates the heating circuits while providing visual information on the heating circuit status to the operator.

Explosion protection

Type

Class I, Div. 2, Groups A, B, C, D
Class II, Div. 2, Groups E, F, G
Class III

Certification

CSA 1862457

Technical data

Ingress protection

Type 4X

Ambient temperature range

-55 °C to +40 °C (-67 °F to + 104 °F)

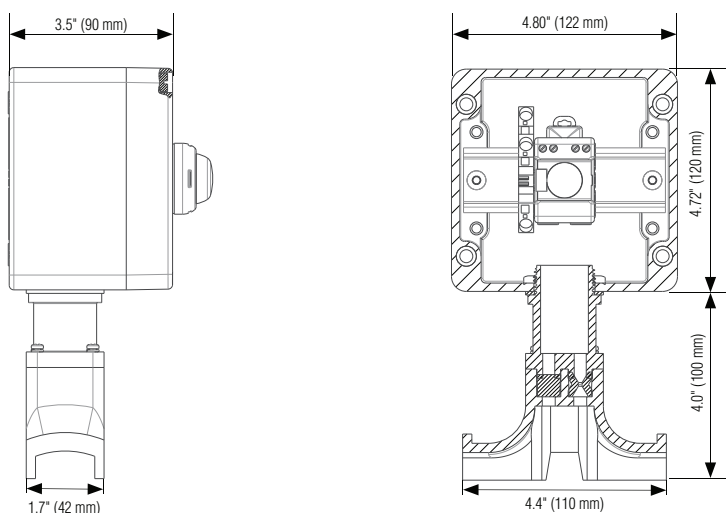
Material

Polyester, glass fibre reinforce

Lens color

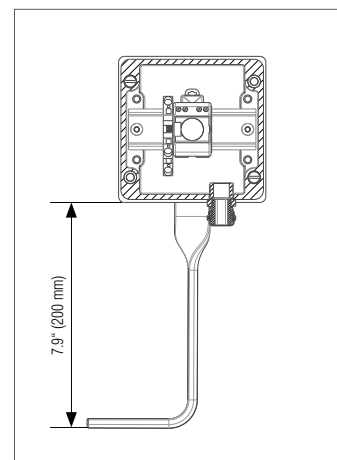
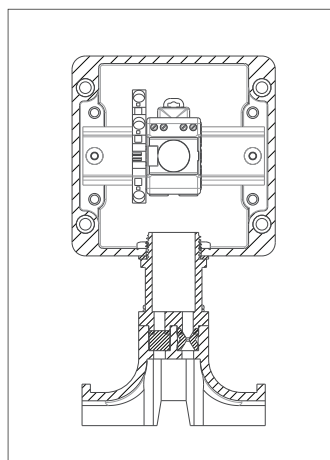
red

Dimensions



Selection chart

Designation	Description	Dimensions	Terminals (mm ²)	Catalog no.	Order no.
Polyester junction box with LED light	on pipe stand PSB/HSB	4.7 x 4.8 x 3.5 in (120 x 122 x 90 mm)	4 x 2.5; 1 x PE	ELL-200-A	27-54E1-4212/F010
	off pipe stand PSB/HSB	4.7 x 4.8 x 3.5 in (120 x 122 x 90 mm)	4 x 2.5; 1 x PE	ELL-300-A	27-54E1-4211/F010
	off pipe stand AHT	4.7 x 4.8 x 3.5 in (120 x 122 x 90 mm)	4 x 2.5; 1 x PE	ELL-310-A	product in certification



Catalog no	ELL-200-A on pipe PSB/HSB	ELL-300-A off pipe PSB/HSB ELL-310-A off pipe AHT
Ingress protection	Type 4X	Type 4X
Heater cable entry	1 x D5 grommet	1 x M20 gland
Box support	Mounting stand (PPS)	Mounting plate (galv. or SS)
Min. ambient temperature	-55 °C (-67 °F)	-55 °C (-67 °F)
Max. ambient temperature	+40 °C (+104 °F)	+40 °C (+104 °F)
Max. pipe temperature	+180 °C (+356 °F)	N/A
Terminals	2.5 mm ² , fine stranded	2.5 mm ² , fine stranded
Max. conductor size	14 AWG	14 AWG
Max. voltage	240 V	240 V
Voltage range	AC 12 V to 240 V	AC 12 V to 240 V