



## Power junction box, single entry PBS

### Features

- Wide temperature range
- Flame-retardant
- Impact-resistant

### Description

Inside the junction box one heating circuit can be connected to the supply voltage.

One through hole allows the usage of 3/4" conduit. The power junction box is equipped with spring clamp terminals Ex e 10 AWG.

### Explosion protection

#### Type

Class I, Div. 2, Groups A, B, C, D  
Class II, Div. 2, Groups E, F, G  
Class III

#### Certification

CSA 1862457

### Technical data

#### Ingress protection

Type 4X

#### Ambient temperature range

-55 °C up to +55 °C (-67 °F up to 131 °F)

#### Power entry

1 x 3/4 inch

#### Material

Polyester, glass fibre reinforce

#### Max. voltage

240 V

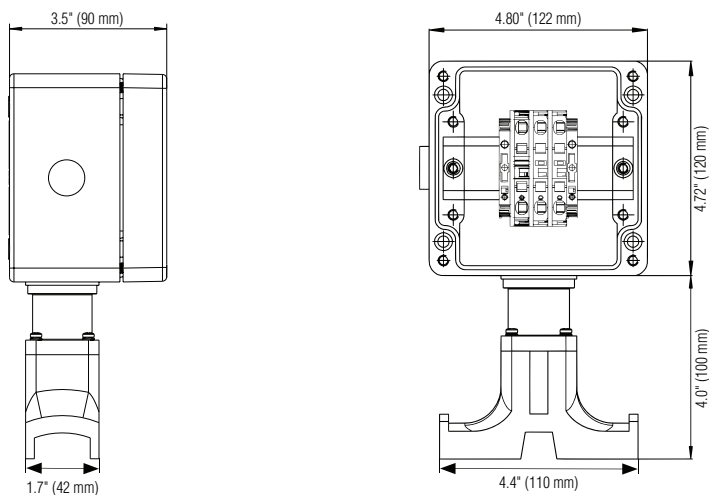
#### Terminals

spring clamp Ex e, 10 AWG

#### Max. current breaker rating

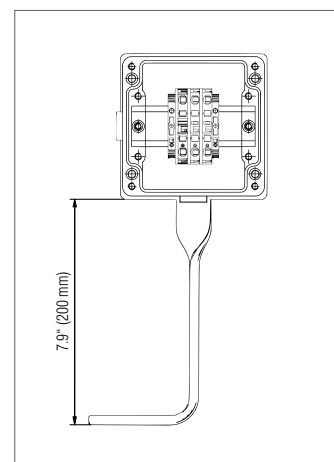
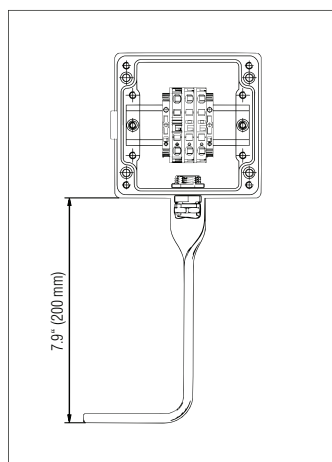
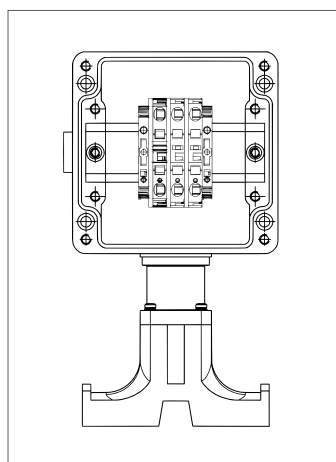
40 A

### Dimensions



### Selection chart

Designation	Description	Dimensions	Terminals (mm <sup>2</sup> )	Catalog no.	Order no.
<b>Polyester junction box, single entry</b>	on pipe stand PSB/HSB	4.8 x 4.7 x 3.5 in (122 x 120 x 90 mm)	4 x 6; 2 x PE	PBS-200-A	<b>27-54P1-4212/1610</b>
	off pipe stand PSB/HSB	4.8 x 4.7 x 3.5 in (122 x 120 x 90 mm)	4 x 6; 2 x PE	PBS-300-A	<b>27-54P1-4211/1610</b>
	off pipe stand AHT	4.8 x 4.7 x 3.5 in (122 x 120 x 90 mm)	4 x 6; 2 x PE	PBS-310-A	<b>product in certification</b>
	off pipe stand MI cable	4.8 x 4.7 x 3.5 in (122 x 120 x 90 mm)	4 x 6; 2 x PE	PBS-400-A	<b>product in certification</b>



Catalog no	PBS-200-A on pipe PSB/HSB	PBS-300-A off pipe PSB/HSB PBS-310-A off pipe AHT	PBS-400-A off pipe MI cable
<b>Ingress protection</b>	Type 4X	Type 4X	Type 4X
<b>Power entry</b>	1 x 3/4 inch conduit	1 x 3/4 inch conduit	1 x 3/4 inch conduit
<b>Heater cable entry</b>	1 x D5 grommet	1 x M20 gland	1 x 3/4 inch
<b>Box support</b>	Mounting stand (engineered polyester)	Mounting plate (galv. or SS)	Mounting plate (galv. or SS)
<b>Min. ambient temperature</b>	-55 °C (-67 °F)	-55 °C (-67 °F)	-55 °C (-67 °F)
<b>Max. ambient temperature</b>	+55 °C (+130 °F)	+55 °C (+130 °F)	+55 °C (+130 °F)
<b>Max. pipe temperature</b>	+180 °C (+356 °F)	N/A	N/A
<b>Terminals</b>	Spring Clamp Ex e 2 line, 1 ground	Spring Clamp Ex e 2 line, 1 ground	Spring Clamp Ex e 2 line, 1 ground
<b>Max. conductor size</b>	10 AWG	10 AWG	10 AWG
<b>Max. voltage</b>	240 V	240 V	240 V
<b>Max. current breaker rating</b>	40 A	40 A	40 A